

Centrifugal STEP Vaults

Includes filter pack with handle and pump chamber preassembled at factory.



Standard Version



Extended Version

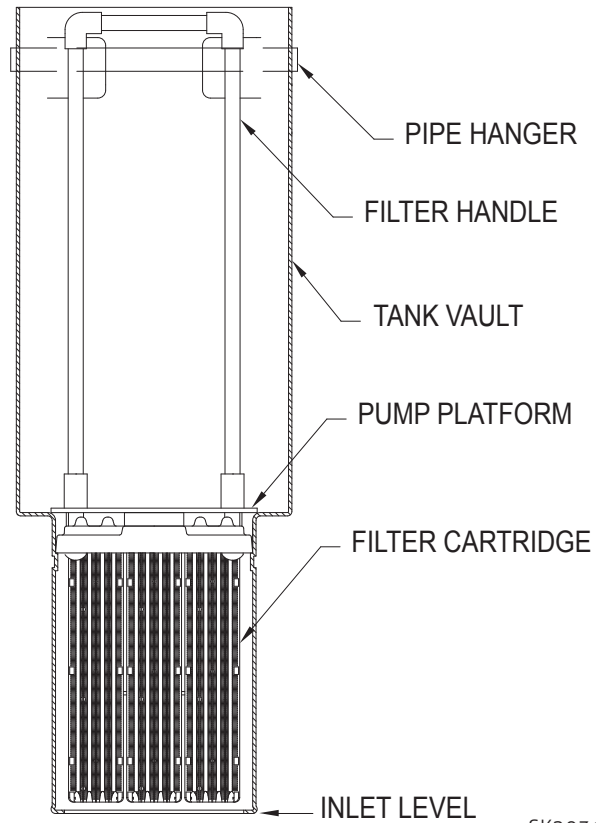
Features

- Vault heights from 46" to 63" are available
- All vaults fit in an 18" septic tank opening
- Preassembled simplex packages with controls are available
- Non-corrodible polyethylene vault and polypropylene filter pack
- Incorporated filters screen solids to 1/16 inch
- Each Centrifugal STEP vault includes a removable filter pack with a handle
- STEP vault must hang as inlet is on the bottom

Trusted. Tested. Tough.®

3649 Cane Run Road • Louisville, KY 40211-1961 • (502) 778-2731 • FAX: (502) 774-3624
clarusenvironmental.com

C1.60.110
CL0033
0319
Supersedes
0516



SK2031

Clarus Environmental Centrifugal STEP Vault includes filter pack with handle and pump chamber preassembled at the factory.

Centrifugal STEP system stand available.

Centrifugal STEP Vaults	
Part Number	Description
5040-0001	Centrifugal STEP vault / 46"
5040-0026	Centrifugal STEP vault / 50"
5040-0027	Centrifugal STEP vault / 63"
5040-0041	Centrifugal STEP system stand